

1

2

3

4

5

6

D

D

C

C

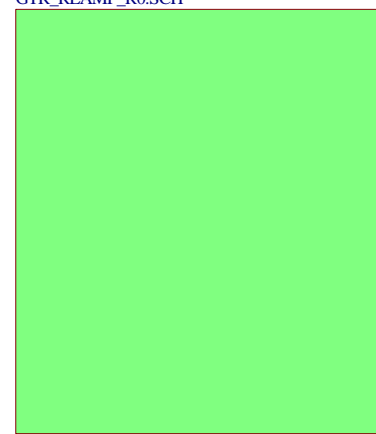
B

B

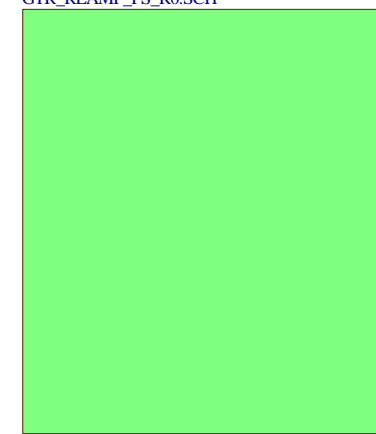
A

A

GTR_REAMP_R0.SCH
GTR_REAMP_R0.SCH



GTR_REAMP_PS_R0.SCH
GTR_REAMP_PS_R0.SCH



STELLER ELECTRONICS

GUITAR RE-AMP

REV:0
Sheet 1 of 3

1-Oct-2010

Notes:

1

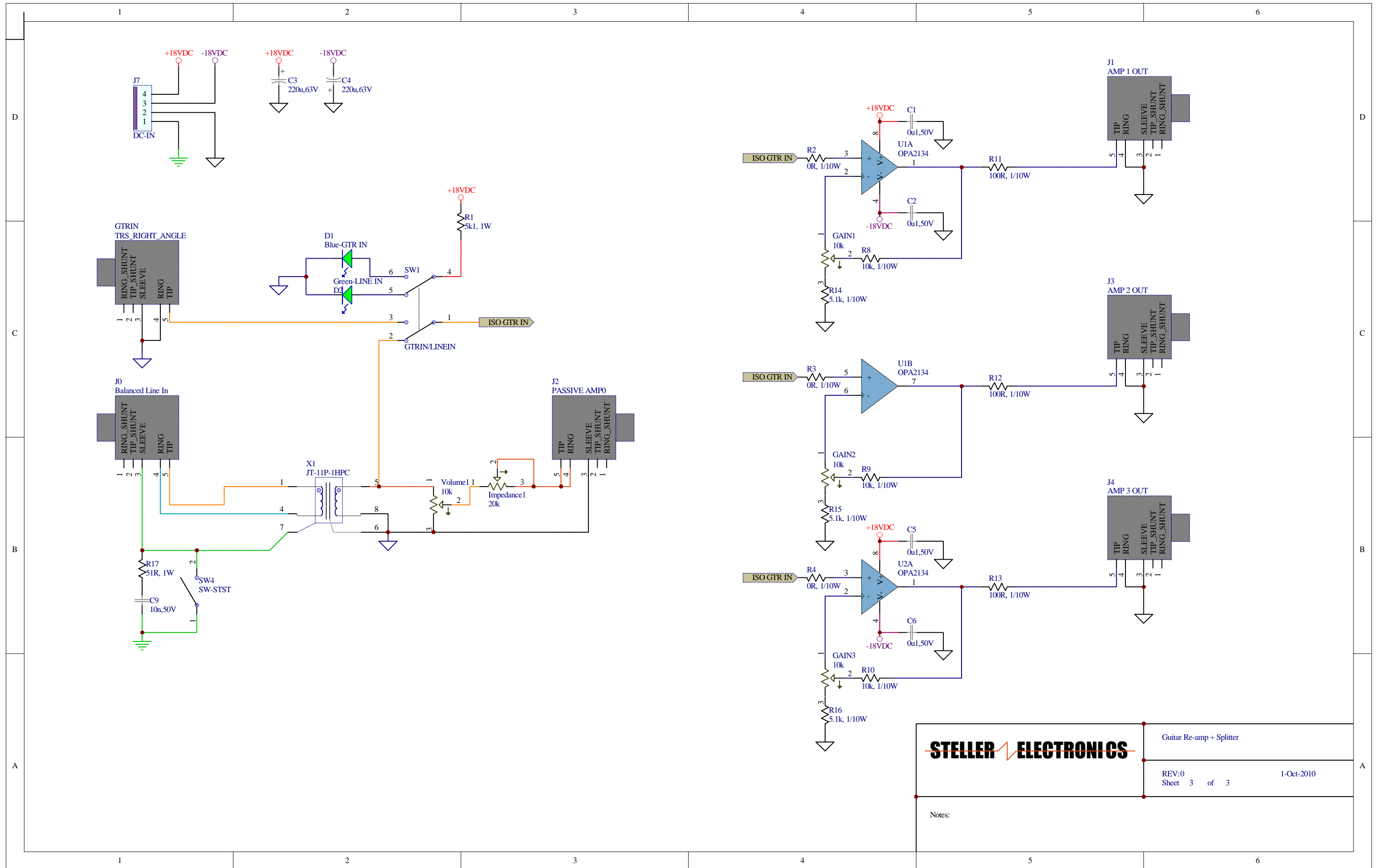
2

3

4

5

6



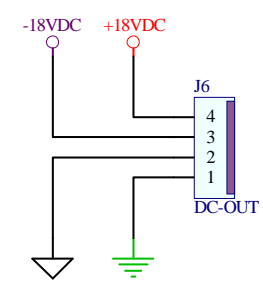
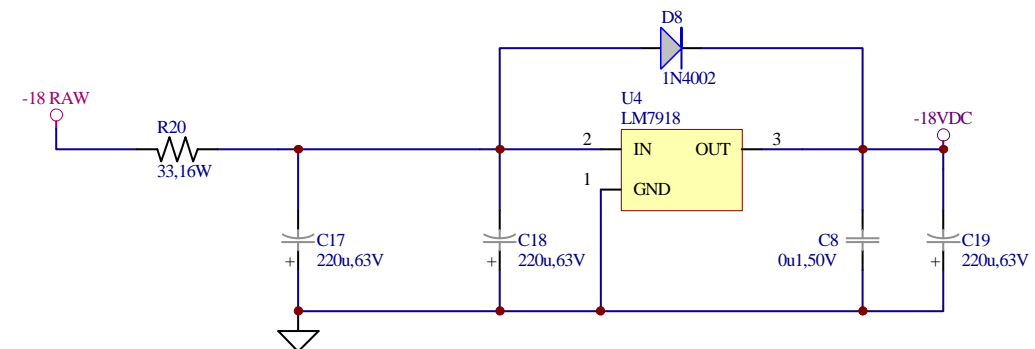
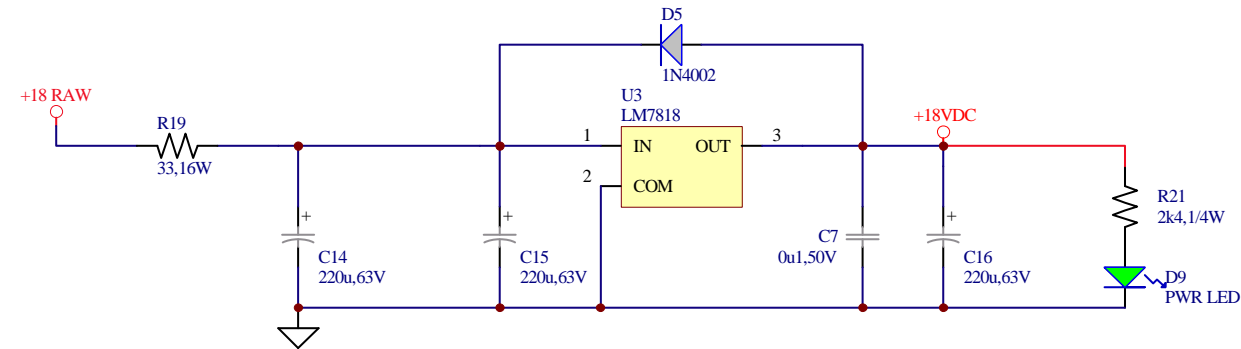
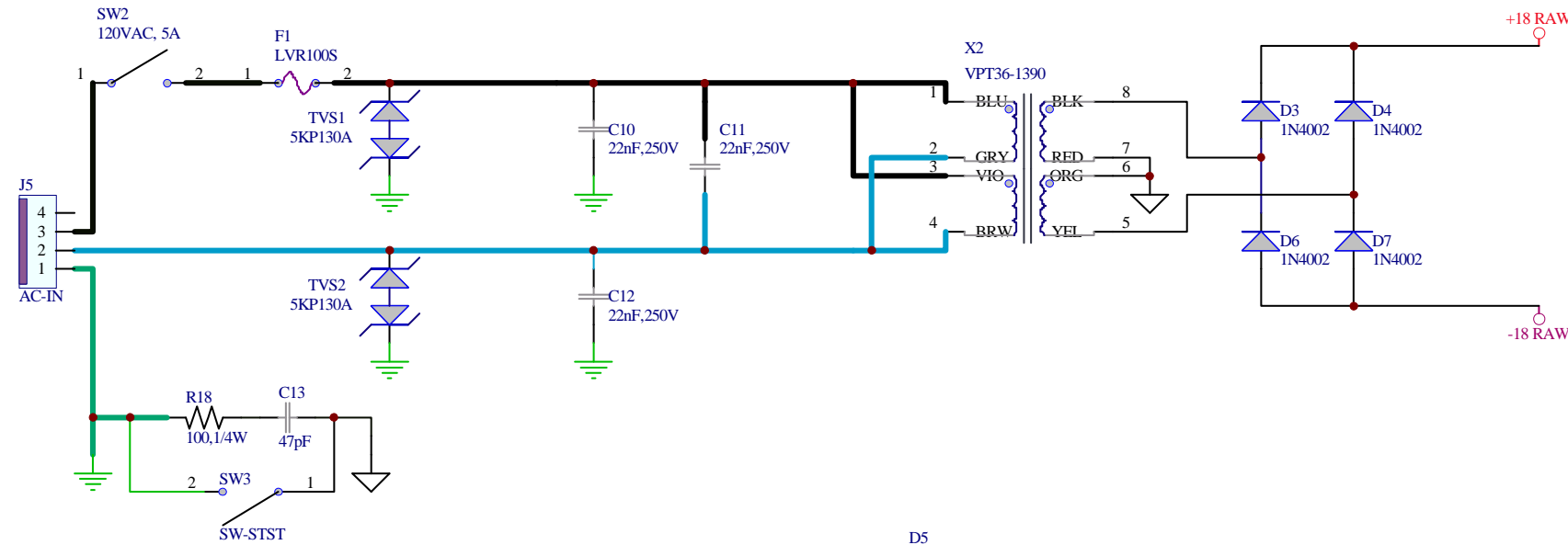
STELLER ELECTRONICS

Guitar Re-amp + Splitter

REV:0
Sheet 3 of 3

1-Oct-2010

Notes:



STELLER ELECTRONICS	Guitar Re-amp + Splitter
	REV:0 Sheet 2 of 3
Notes:	1-Oct-2010